

## LSQW(R)FA 60M

Cooling capacity: 65÷1040 kW

Heating capacity: 68÷1088 kW



### FEATURES

- The master module can work independently or together with up to 15 slave modules, capacity from 65 to 1040kW.
- Units with V type heat exchanger: panels, frame and base are made from galvanized steel protected with polyester powder painting to ensure total resistance to atmospheric agents.
- 3-phase scroll type compressor, with built-in thermal overload cut-out and crankcase heater, mounted on rubber vibration dampers.
- External rotor type axial fans, equipped with three phase direct drive motors, low noise 8 poles, protection level IP54, provided with a protective outlet grille.
- Evaporator built with high efficiency shell&tube type heat exchanger, factory insulated with flexible close cell material.
- Condenser built with seamless copper tubes mechanically expanded into blue hydrophilic aluminum fins.
- Refrigerant circuit complete with charge valves, filter drier, sight glass, gas-liquid separator, thermostatic expansion valve, high & low pressure switch. The heat pump unit is completed also with 4-way valve, liquid receiver and one way valve.
- Hydraulic circuit built with galvanized pipe, complete with water discharge connection for tube in tube heat exchanger and flange type hydraulic connectors in two directions easy for connections from both sides of the units.
- Electric panel consist of: compressor contactor, fan motor contactor, compressor protection breaker, fan protection breaker, phase sequence relay and microprocessor with function display (display only for master/packaged unit)
- Automatic operation dramatically reducing maintenance cost thanks to reliable microprocessor system.

#### OPTIONAL

- ◆ Water flow switch;
- ◆ Water pump;
- ◆ Heat recovery functions

### NOMENCLATURE

**LS QW R F 60 M A**

① ② ③ ④ ⑤ ⑥ ⑦

- ① Water chiller
- ② Hermetic scroll compressor
- ③ Unit type:  
R : heat pump  
-- : cooling only
- ④ Air cooled

⑤ Size

- ⑥ Module type  
M: master module  
S: slave module

⑦ Refrigerant type

- : R22
- A: R410a
- B: R290
- C: R407C

## TECHNICAL DATA

Model	LSQW(R)F	60x1	60x2	60x3	60x4	60x5	60x6	60x7	60x8	
<b>Cooling capacity*</b>	kW	65	130	195	260	325	390	455	520	
<b>Heating capacity**</b>	kW	68	136	204	272	340	408	476	544	
<b>Compressor</b>										
Power supply		380/3+N/50								
Qty/refrigerant circuit	Nr.	2/2	4/4	6/6	8/8	10/10	12/12	14/14	16/16	
Cooling power input*	kW	10.4x2	10.4x4	10.4x6	10.4x8	10.4x10	100x12	10.4x14	10.4x16	
Heating power input**	kW	10.1x2	10.1x4	10.1x6	10.1x8	10.1x10	10.1x12	10.1x14	10.1x16	
Max. power input	kW	39.92x1	39.92x2	39.92x3	39.92x4	39.92x5	39.92x6	39.92x7	39.92x8	
Max. input current	A x n°	52x1	52x2	52x3	52x4	52x5	52x6	52x7	52x8	
Max. starting current ****	A	142x1	142x2	142x3	142x4	142x5	142x6	142x7	142x8	
Energy adjustment	%	0-50-100 (Single unit)								
<b>Axial fan</b>										
Quantity	Nr.	2	4	6	8	10	12	14	16	
Airflow	m³/h	29200	58400	87600	116800	146000	175200	204400	233600	
<b>Evaporator</b>										
Type		Shel & tube heat exchanger								
Water flow(cooling)	m³/h	11.2	22.4	33.6	44.8	56	67.2	78.4	89.6	
Water side pressure drop ***	kPa	<<<< - -			46				- - ->>>	
Water connection size	DN	50								
<b>Power supply</b>	/	380V/3Ph/50Hz								
<b>Noise level***</b>	<b>V type coil</b>	<b>dB(A)</b>	71	72	73	74	75	76	77	78
<b>Dimensions</b>										
	Length	mm	2000 (Single unit)							
<b>V type coil</b>	Width	mm	1060 (Single unit)							
	Height	mm	1957 (Single unit)							
<b>Net weight</b>	<b>V type coil</b>	kg	630x1	630x2	630x3	630x4	630x5	630x6	630x7	630x8

\* Ambient temperature 35°C; evaporator water in/out 12/7 °C;

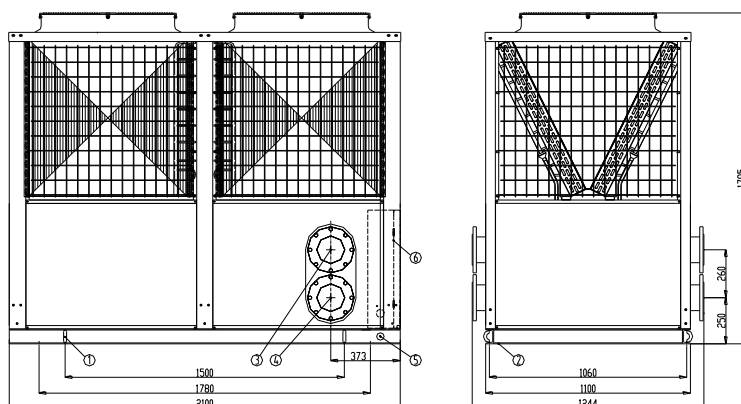
\*\* Ambient temperature DB 7 °C, WB 6 °C; condenser water in/out temperature 40/45 °C;

\*\*\* In the nominal water flow condition the pressure drop is between this range.

\*\*\*\* Sound pressure measured at a distance of 1 m and a height of 1.5 m above the ground in a dear field.

## OVERALL DIMENSIONS

### LSQW(R)F60M



The technical data in this document are not binding.  
Bright A/C reserves all the right to make whatever modifications if necessary to improve the product at any time without previous notice.

Bright Air Conditioning Co.,Ltd.  
Tel.: +86 534 22 999 51/53 / 54 / 56 / 57 / 58 Fax: +86 534 22 999 59  
E-mail: brightcacz@gmail.com intl@sbright.com.cn  
www.brightaircon.com www.sbright.com.cn